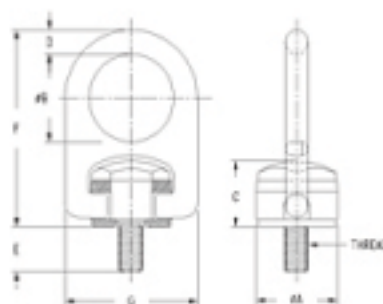


**Forged Swivel Hoist Ring**

*Check up to five results to perform an action.*



[larger image](#)



[larger image](#)

Results1 - 25 of 25

1

<u>Item #</u>	<u>Rated Load</u>	<u>Thread Size</u>	<u>Thread Protrusion (E)</u>	<u>B</u>	<u>Torque</u>
<a href="#">56100</a>	600 lbs	1/4" - 20	0.5 in	1.40 in	5 ft/lb
<a href="#">56102</a>	800 lbs	5/16" - 18	0.5 in	1.40 in	7 ft/lb
<a href="#">56104</a>	800 lbs	5/16" - 18	1 in	1.40 in	7 ft/lb
<a href="#">56106</a>	1000 lbs	3/8" - 16	0.5 in	1.40 in	12 ft/lb
<a href="#">56107</a>	1000 lbs	3/8" - 16	1 in	1.40 in	12 ft/lb
<a href="#">56008</a>	2500 lbs	1/2" - 13	0.75 in	2.40 in	28 ft/lb
<a href="#">56010</a>	2500 lbs	1/2" - 13	1 in	2.40 in	28 ft/lb
<a href="#">56012</a>	2500 lbs	1/2" - 13	1.25 in	2.40 in	28 ft/lb
<a href="#">56002</a>	4000 lbs	5/8" - 11	0.75 in	2.40 in	60 ft/lb
<a href="#">56004</a>	4000 lbs	5/8" - 11	1 in	2.40 in	60 ft/lb
<a href="#">56006</a>	4000 lbs	5/8" - 11	1.25 in	2.40 in	60 ft/lb
<a href="#">56014</a>	5000 lbs	3/4" - 10	1 in	2.40 in	100 ft/lb
<a href="#">56018</a>	5000 lbs	3/4" - 10	1.5 in	2.40 in	100 ft/lb
<a href="#">56204</a>	7000 lbs	3/4" - 10	1 in	3.20 in	100 ft/lb
<a href="#">56203</a>	7000 lbs	3/4" - 10	1.25 in	3.20 in	100 ft/lb
<a href="#">56206</a>	7000 lbs	3/4" - 10	1.5 in	3.20 in	100 ft/lb
<a href="#">56202</a>	8000 lbs	7/8" - 9	1 in	3.20 in	160 ft/lb
<a href="#">56205</a>	8000 lbs	7/8" - 9	1.25 in	3.20 in	160 ft/lb
<a href="#">56210</a>	10000 lbs	1" - 8	1.25 in	3.20 in	230 ft/lb
<a href="#">56212</a>	10000 lbs	1" - 8	1.5 in	3.20 in	230 ft/lb
<a href="#">56214</a>	10000 lbs	1" - 8	2.25 in	3.20 in	230 ft/lb
<a href="#">56802</a>	15000 lbs	1 1/4" - 7	2 in	4.00 in	470 ft/lb
<a href="#">56804</a>	15000 lbs	1 1/4" - 7	2.75 in	4.00 in	470 ft/lb
<a href="#">56702</a>	20000 lbs	1 3/8" - 6	2.75 in	4.00 in	540 ft/lb
<a href="#">56404</a>	24000 lbs	1 1/2" - 6	2.75 in	4.00 in	800 ft/lb

Results1 - 25 of 25

1