

**동상교역**  
**Tel:(02)2234-4178, Fax:(02)6008-1357**  
**사업자등록번호:208-45-64609**  
**415-020 경기도 김포시 금포로 1117-20**  
**김포현대공구타운 가동 1층 25/26호**

**ACTEK HOIST RING**  
**www.actek.co.kr**  
**actek@actek.co.kr**  
**Safe and Easy Lifting!!**  
**Made in U.S.A.**

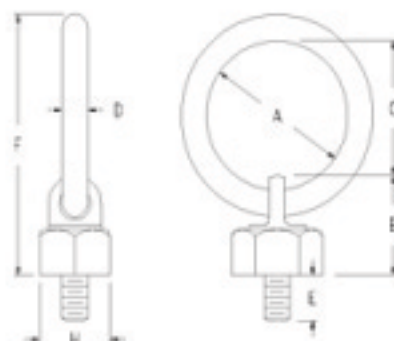
**"The Mold Handler™" Double Swivel Eye Bolts (Standard)**

*Check up to five results to perform an action.*

- The extra large inside diameter of this lift ring allows the user to utilize many styles and larger size hoist hooks.
- Die and mold makers will like the way this ring reacts to laying down and rolling the dies and molds over to work on them.
- Ball bearings give smooth swiveling and pivoting action.
- Magnetic Particle Inspected.
- Rated loads from 800 lbs. to 10000 lbs.
- Aircraft Quality "Chrome Moly". Strong & Tough.



[larger image](#)



[larger image](#)

Results1 - 6 of 6

1

<u>Item #</u>	<u>Rated Load</u>	<u>Thread Size</u>	<u>B</u>	<u>Thread Protrusion (E)</u>
<a href="#">42620</a>	800 lbs	5/16" - 18	1.48 in	1/2 in
<a href="#">42630</a>	1000 lbs	3/8" - 16	1.48 in	5/8 in
<a href="#">42640</a>	2500 lbs	1/2" - 13	2.68 in	3/4 in
<a href="#">42650</a>	4000 lbs	5/8" - 11	2.68 in	1 in
<a href="#">42660</a>	7000 lbs	3/4" - 10	4.25 in	1 1/4 in
<a href="#">42670</a>	10000 lbs	1" - 8	4.25 in	1 1/2 in

Results1 - 6 of 6

1