

동상교역
Tel:(02)2234-4178, Fax:(02)6008-1357
사업자등록번호:208-45-64609
415-020 경기도 김포시 금포로 1117-20
김포현대공구타운 가동 1층 25/26호

ACTEK HOIST RING
www.actek.co.kr
actek@actek.co.kr
Safe and Easy Lifting!!
Made in U.S.A.

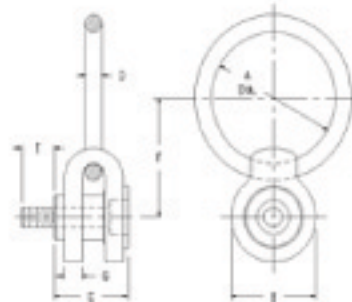
Side Load Hoist Rings

Check up to five results to perform an action.

- Designed for side-mounted applications.
- Smooth swiveling and pivoting action.
- Aircraft Quality "Chrome Moly", Strong & Tough.
- Extra large ring accepts many styles and sizes of hoist hooks.
- Ideal for stamping and injection mold industries.
- Magnetic particle inspected.
- Rated loads from 650 lbs. to 29000 lbs.
- Thread size from 5/16" to 2"
- Safety Factor : 5:1



[larger image](#)



[larger image](#)

Results1 - 13 of 13

1

<u>Item #</u>	<u>Rated Load</u>	<u>Thread Size</u>	<u>Thread Protrusion (E)</u>	<u>B</u>	<u>Torque</u>
43510	650 lbs	5/16" - 18	5/8 in	1 1/2 in	3.5 ft/lb
43515	800 lbs	3/8" - 16	3/4 in	1 1/2 in	4.5 ft/lb
43520	1800 lbs	1/2" - 13	1 in	2 3/8 in	15 ft/lb
43525	2500 lbs	5/8" - 11	1 1/4 in	2 3/8 in	25 ft/lb
43530	4000 lbs	3/4" - 10	1 1/2 in	3 3/4 in	50 ft/lb
43535	5500 lbs	7/8" - 9	2 in	3 3/4 in	80 ft/lb
43540	7000 lbs	1" - 8	2 in	3 3/4 in	90 ft/lb
43545	14000 lbs	1 1/4" - 7	2 in	4 5/8 in	150 ft/lb
43547	14000 lbs	1 1/4" - 8	2 in	4 5/8 in	150 ft/lb
43550	17000 lbs	1 1/2" - 6	2 1/2 in	4 5/8 in	250 ft/lb
43552	17000 lbs	1 1/2" - 8	2 1/2 in	4 5/8 in	250 ft/lb
43555	29000 lbs	2" - 4 1/2	3 1/8 in	4 5/8 in	300 ft/lb
43557	29000 lbs	2" - 8	3 1/8 in	4 5/8 in	300 ft/lb

Results1 - 13 of 13

1