

동상교역
Tel:(02)2234-4178, Fax:(02)6008-1357
사업자등록번호:208-45-64609
415-020 경기도 김포시 금포로 1117-20
김포현대공구타운 가동 1층 25/26호

ACTEK HOIST RING
www.actek.co.kr
actek@actek.co.kr
Safe and Easy Lifting!!
Made in U.S.A.

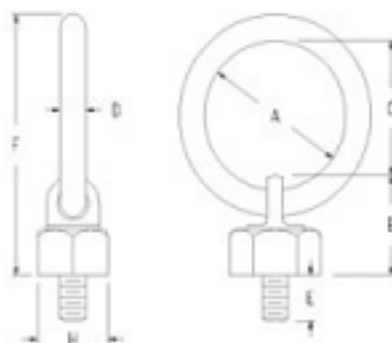
"The Mold Handler™" Double Swivel Eye Bolts (Metric)

Check up to five results to perform an action.

- The extra large inside diameter of this lift ring allows the user to utilize many styles and larger size hoist hooks.
- Die and mold makers will like the way this ring reacts to laying down and rolling the dies and molds over to work on them.
- Ball bearings give smooth swiveling and pivoting action.
- Magnetic Particle Inspected.
- Rated loads from 800 lbs. to 10000 lbs.
- Aircraft Quality "Chrome Moly". Strong & Tough.



[larger image](#)



[larger image](#)

Results1 - 6 of 6

1

<u>Item #</u>	<u>Rated Load</u>	<u>Thread Size</u>	<u>Thread Protrusion (E)</u>	<u>B</u>
42920	400 kg	M8 x 1.25	1/2 in	1.48 in
42930	500 kg	M10 x 1.50	5/8 in	1.48 in
42940	1050 kg	M12 x 1.75	3/4 in	2.68 in
42950	1900 kg	M16 x 2.00	1 in	2.68 in
42960	2150 kg	M20 x 2.50	1 1/4 in	4.25 in
42970	4200 kg	M24 x 3.00	1 1/2 in	4.25 in

Results1 - 6 of 6

1